



FROM CONCEPT TO FORM <sup>TM</sup>

CUSTOM FORM <sup>TM</sup> FURNITURE

Contact support @ [formvegas.com](http://formvegas.com) to see photos of our expanding proprietary designs and projects  
Samples available to see in the FORM Las Vegas Showroom



HO CHI MINH – full service, multi material manufacturing facility

ISO:9001-2000 compliant factory

## QUALIFICATIONS

Our partner factory has produced guest room furniture and millwork for Four Seasons, Marriott, Loews, Hilton, Hyatt, Sheraton, and Starwood Hotels, among other notable brands. The factory includes all aspects of furniture manufacturing, including metal for seamless product integration.

**GREEN** Our manufacturing facilities in South Vietnam are ISO:9001-2000 compliant

Our partners procure raw materials that meet FSC, Chain-of-Custody requirements of LEED, Lotus and similar certification programs focusing on wet and dry materials being formaldehyde free or low in formaldehyde content that meet LEED or equivalent low VOC requirements. Additionally, our manufacturing facilities utilize a recycling program in which all unused scrap wood from our production lines is either used for our kiln drying furnaces or used in lower grade products.

## OUR SERVICES

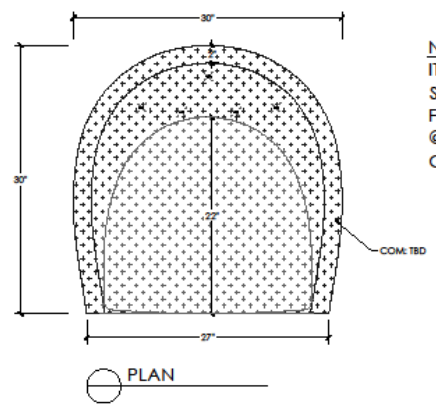
BUDGET ANALYSIS Before starting your project, our experienced design and production partners will take into account your project budget and offer Value Engineering suggestions on what materials and designs could be best suited for your project budget.

PROJECT MANAGEMENT At the center of our delivery methodology is a dedicated Project Manager. It is the Project Manager who, together with our team, supervises and monitors all aspects of the project from the development of the design and shop drawings, prototype samples, production management and reporting, to the way the product is loaded into containers. Our dedicated project director works with the Owner's purchasing agents, designers, general contractors and all other project team members to develop an integrated delivery strategy.

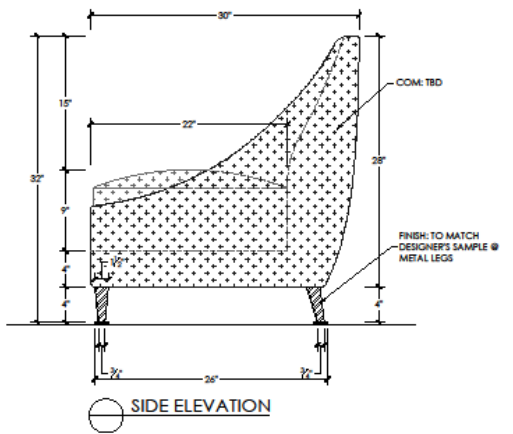
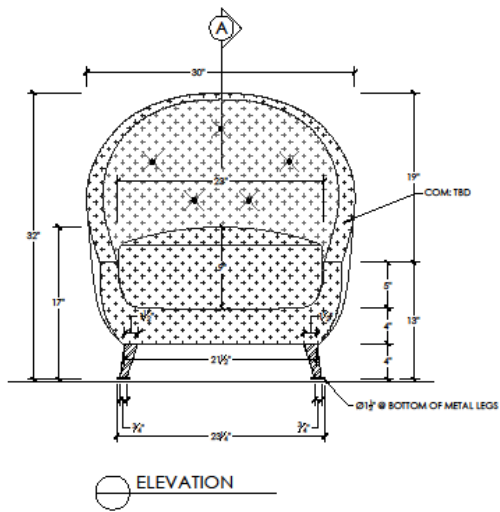
LOGISTICS Our Logistics Team tracks all inbound/outbound freight making sure the containers are handled properly. Items packaged and shipped from our Manufacturing facilities are accompanied by a full inventory list and manifest. The Logistics team offers real-time freight claim reporting and tracking of all products. A project status report can be provided at all phases of your project. All inbound/outbound freight will be handled in a way that will be the most time efficient and beneficial to your budget and schedule.

INSTALLATION We partner with a professional Las Vegas based company that offers receiving, warehousing, white glove delivery and installation for one item to an entire property.

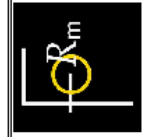
REV	AREA	DESCRIPTION	DATE	BY
-----	------	-------------	------	----



NOTES:  
 ITEM: LOUNGE CHAIR 2  
 SPECIES: FACTORY SELECTION  
 FINISH: TO MATCH DESIGNER'S SAMPLE  
 @ METAL LEGS  
 COM: TBD



KAREN HAGEMAN  
 www.FORMVegas.com  
 Karen@FORMVegas.com  
 702-985-2157 MOBILE  
 702-804-1692 STUDIO



LOUNGE CHAIR 2

DATE:  
05.11.19

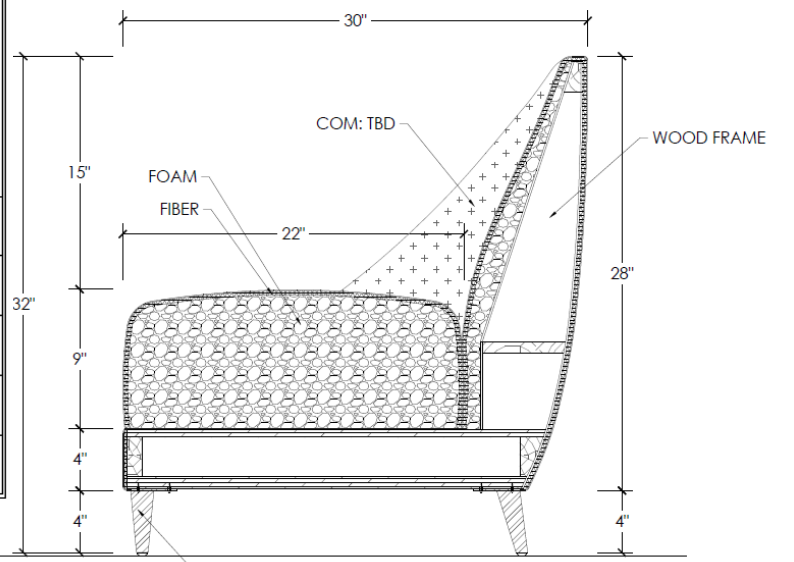
SCALE:  
NTS

JOB #

REVISION #  
002

SHEET #  
1 OF 2

DATE	BY
------	----



© ALL INFORMATION CONTAINED IN THIS DRAWING ARE PROTECTED BY COPYRIGHT LAWS, AND MAY NOT BE REPRODUCED, REPUBLISHED, DISTRIBUTED, TRANSMITTED, DISPLAYED, BROADCAST OR OTHERWISE EXPLOITED IN ANY MANNER WITHOUT THE EXPRESS PRIOR WRITTEN PERMISSION OF FORM INC.

Sample Detailed Shop Drawings and 3D Renderings